

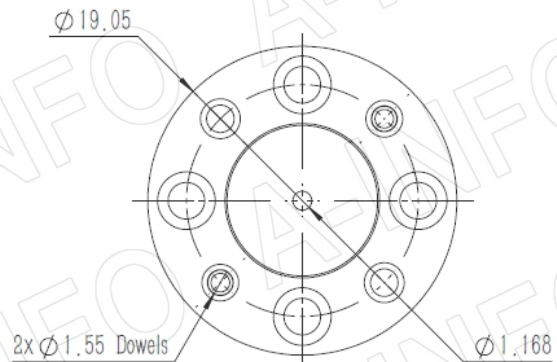
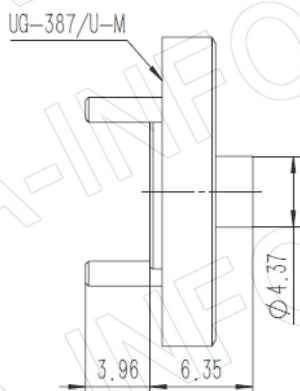
For reference only. See data sheet for the detailed specifications.

Technical Specification



Frequency Range(GHz)	183.0 - 240.0
Circular WG Size	1.168mm / 0.046"
Gain(dBi)	15 Typ.
Polarization	Linear and Circular
3dB Beamwidth(deg)	E Plane: 26 Typ.
	H Plane: 30 Typ.
Cross Pol. Isolation(dB)	40 Typ.
VSWR	1.20:1 Max.
Output	UG-387/U-M
Material	Cu
Finish	Gold Plated
Size(mm)	19.05 x 19.05 x 6.35
Net Weight(Kg)	0.01 Around

Outline Drawing (Size: mm)



AINFO Inc.

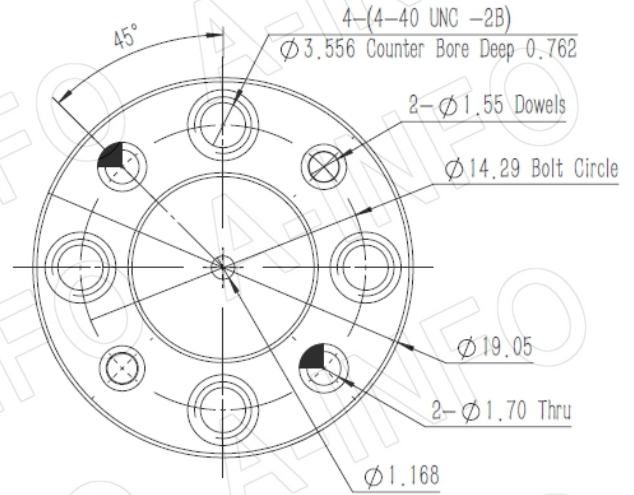
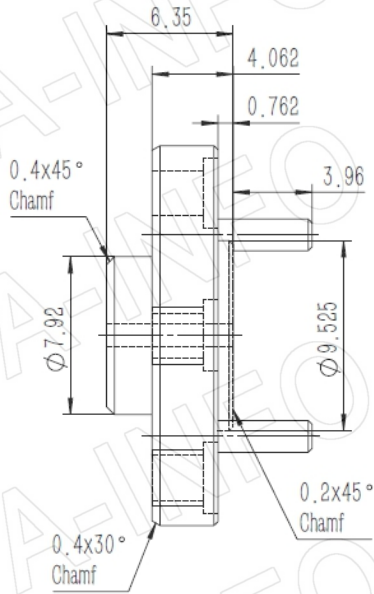
Page 1 of 3

China(Beijing): Tel: (+86) 10-6266-7326,
China(Chengdu): Tel: (+86) 28-8519-2786,
USA : Tel: (+1) 949-639-9688,

(+86) 10-6266-7327 Fax: (+86) 10-6266-7379
(+86) 28-8519-3044 Fax: (+86) 28-8519-3068
(+1) 949-639-9608 Fax: (+1) 949-639-9670

Website: www.ainfoinc.com
Email: sales@ainfoinc.com

Flange Drawing (Size: mm)



UG-387/U-M

Test Results (Including circular to rectangular transition)

Gain & Antenna Factor

